

EH10 & EH40

Electronic Water Heater Time Switches

The Electronic Water Heater Series time switches provide control for electric water heaters with to-the-minute accuracy in programming and time keeping. These time switches can be programmed for repeat daily scheduling, 5-Day work week scheduling, weekend scheduling or individual day scheduling.

Features

- Timers can be scheduled for operation during the lowest time-of-day rates
- 6 ON/OFF events can be performed daily or weekly
- External override switch
- LED load indicator for ease in scheduling
- Battery carryover protects time keeping and program information for a minimum of 3 years

Ratings

Enclosure:	Type 1- Indoor
Knockouts:	Combination 1/2" – 3/4" nominal knockouts, one on back and each side of case and two on bottom
Switch Type:	See table
Switch Rating:	
EH10-	Inductive: 30 Amp, 120 VAC Resistive: 30 Amp, 120 VAC Tungsten: 5 Amp, 120 VAC 1 HP, 120 VAC
EH40-	Inductive: 30 Amp, 240 VAC Resistive: 30 Amp, 240 VAC Tungsten: 5 Amp, 240 VAC 1 1/2 HP, 240 VAC
Power Input:	See table
Memory Hold Up:	AA type alkaline battery
Operating Temperature:	-40°F to 104°F (-40°C to 40°C)
Shipping Weight:	3 lbs. (1.4 kg)
Warranty:	Limited 1 year

Project: _____

Location: _____

Product Type: _____

Contact/Phone: _____

Model #: _____



Model Number	Switch	Clock Supply Volts 50/60 Hz	Clock Supply Power Input (Watts)	Watts	External Switch	Amps/Pole
EH10	SPST	120	1	3600	Yes	30
EH40	DPST	240	3	7200	Yes	30

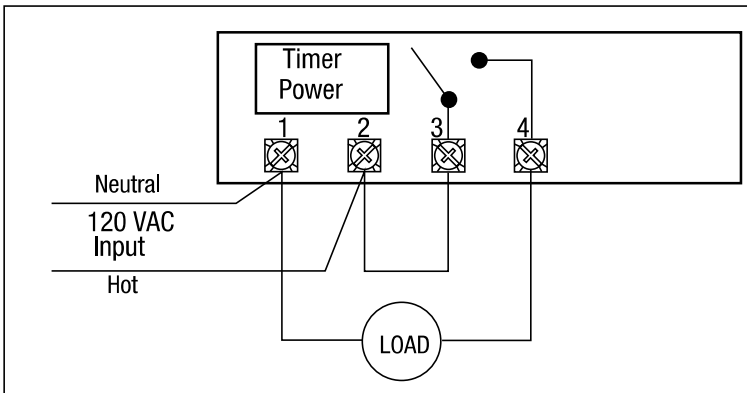
Specification

The time switch, which shall be a digital 7-Day type capable of permitting up to 6 ON/OFF events, can be programmed daily or weekly. The time switch shall provide a minimum ON or OFF time of 1 minute. The time switch shall be powered by a _____ (120)(240) VAC, 50/60 Hz power supply. The time switch shall provide a feature for programming all 7 days, 5 week days only, two weekend days only, or each day independently. The AA type alkaline battery shall protect the program for a minimum of 3 years. The time switch mechanism shall be a snap-in design to provide ease of mechanism removal from the enclosure. The time switch enclosure shall be a Type 1 lockable steel enclosure, which shall be painted with an electrostatic process to eliminate the potential for corrosion. The time switch shall include an external override to allow overriding of the time switch without unlocking or opening the cover. A load indicator (LED) shall be provided in the time switch and shall be visible through a clear display window for viewing the load status without opening the time switch cover. The time switch enclosure shall provide a minimum of 31 cubic inches of wiring space and shall provide a non-removable cover, which shall swing open a full 180 degrees. The time switch shall provide clear terminal identification on a non-curling terminal insulator. Terminal connections shall be made using teeter-type terminal screws to provide secure connections for wire sizes up to #10 AWG. Switch configurations shall be _____ (SPST)(DPST) with an agency listed switch rating of:

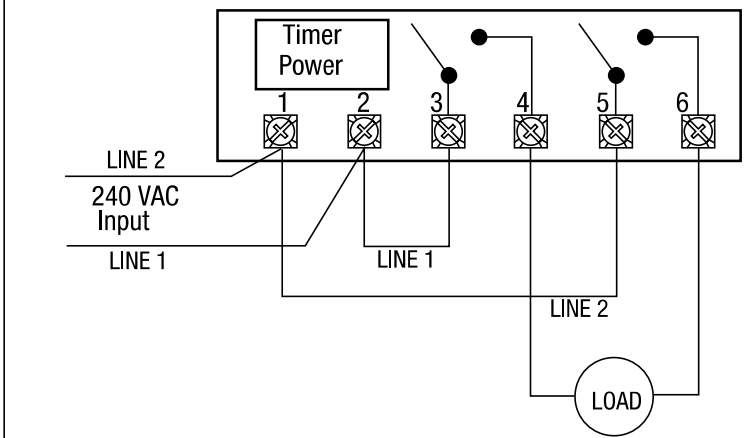
- 30 Amps per pole Resistive, Inductive, 120/240 VAC
- 1 HP, 120 VAC
- 1½ HP, 240 VAC
- 5 Amps Tungsten, 120/240 VAC

The time switch shall be agency listed under Energy Management Equipment and shall be Intermatic model _____.

Diagrams



Example for 120 VAC input Model # EH10 SPST



Example for 240 VAC input Model # EH40 DPST

