

COOPER LIGHTING - ALL-PRO™

DESCRIPTION

The ALL-PRO™ LED Outdoor Security series is designed to provide superior security with the sustainability of LED Technology. Designed for performance with a refined look, the durable die-cast aluminum construction and innovative LED design come in a full range of styles and lumen outputs to match all outdoor security needs. The patent pending products can be wall or eave mounted for entry ways, garage and corners. ALL-PRO™ LED outdoor security lighting provides the safety of super bright lighting, energy savings up to 90%, and the convenience of one-time installation without re-lamping.

Catalog #		Type
Project		
Comments		Date
Prepared by		

SPECIFICATION FEATURES

Construction

- Durable die-cast aluminum housing suitable for wet locations
- Powder coated bronze or white finish
- Powder coated aluminum reflector for maximum LED light output
- Tool-less head adjustment
- UV stable polycarbonate lens
- Suitable for wall or eave mounting using recessed junction box
- Adapter plate included for easy recessed junction box mounting

Electrical

- 120VAC, 60Hz
- Maintenance-free LEDs with 35,000 hours of life
- ENERGY STAR® select option
- Fixture operating temperature range from -30°C to 40°C
- UL and CUL listed for wet locations
- External supply wiring 75°C minimum
- Dusk to Dawn option available with non-replaceable photocell

Optics

- Precision optics for maximum efficiency
- 5000K color temperature perfect for security applications
- 1350-1900 Lumen packages

Warranty

- 2 year limited warranty for non-ENERGY STAR® fixtures
- 3 year limited warranty for ENERGY STAR® fixtures

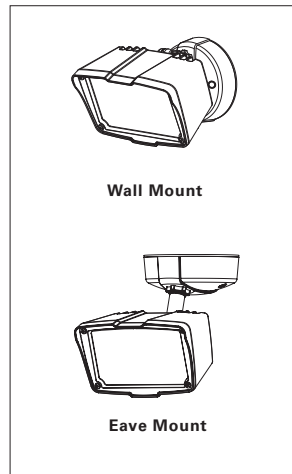
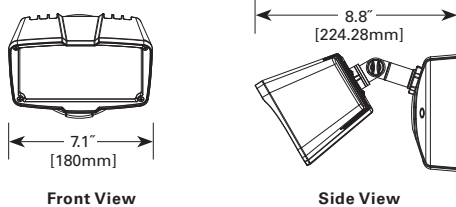


LED FLOOD SERIES

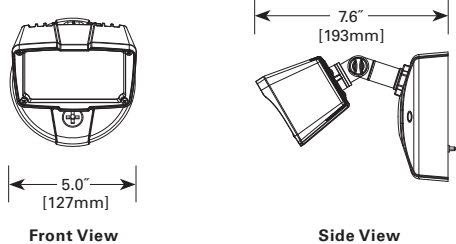
LED Small Single Head
LED Large Single Head

DIMENSIONS

LARGE



SMALL



Innovation you can rely on™

Sustainable Design

CERTIFICATION DATA

UL/CUL Wet Location Listed
ENERGY STAR® models
Lighting Facts® Approved

TECHNICAL DATA

120V only
-30°C to 40°C Temperature Rating
External Supply Wiring 75° Minimum
Wall and Eave Mount

ORDERING INFORMATION

Sample Number: FSS1530LPCES



Application
F = Floodlight

Head Design
S = Single

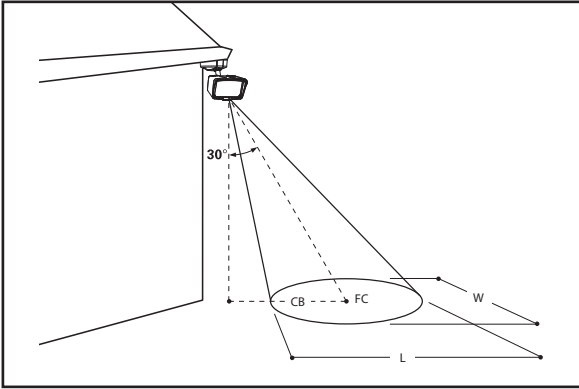
Series
S1530L = Small Head
L2030L = Large Head

Application Options
Blank = No photocontrol
PC = Photocontrol 120V

Housing Color
Blank = Bronze
W = White

Options
Blank = Non-ENERGY STAR®
ES = ENERGY STAR®

PHOTOMETRICS



Note: Specifications and Dimensions subject to change without notice.

Footcandle (FC) Table

Mounting Height	Small Single			Small Single ENERGY STAR®			Large Single		
	FC	Length (L)	Width (W)	FC	Length (L)	Width (W)	FC	Length (L)	Width (W)
8 ft.	12	12.2	17.2	11	12.8	16.9	17	11.5	17.3
10 ft.	8	15.2	21.5	7	16.0	21.1	11	14.3	21.6
12 ft.	5	18.3	25.8	5	19.2	25.3	8	17.2	25.9
15 ft.	3	22.9	32.2	3	24	31.6	5	21.5	32.4

Note: Data is for bronze fixture at a typical mounting angle of 30°

Technical Information

		Voltage (V)	Power (W)	Delivered Lumens	Efficacy (Lum/Watt)	LED Color Temperature (K)	CRI
Small Single	Bronze	120	22	1350	61	5000	70
	White	120	22	1410	63	5000	70
Small Single - ENERGY STAR®	Bronze	120	21	1350	65	5000	70
	White	120	21	1410	68	5000	70
Large Single	Bronze	120	30	1900	63	5000	70
	White	120	30	1900	64	5000	70

For complete product data, reference the Fluorescent Specification binder. Specifications & dimensions subject to change without notice. Consult your Cooper Lighting Representative for availability and ordering information.